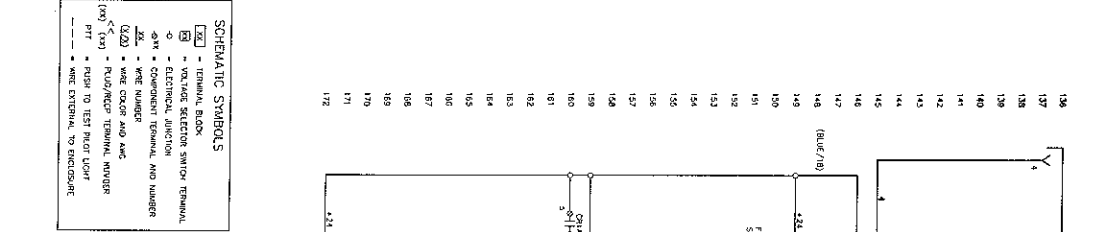
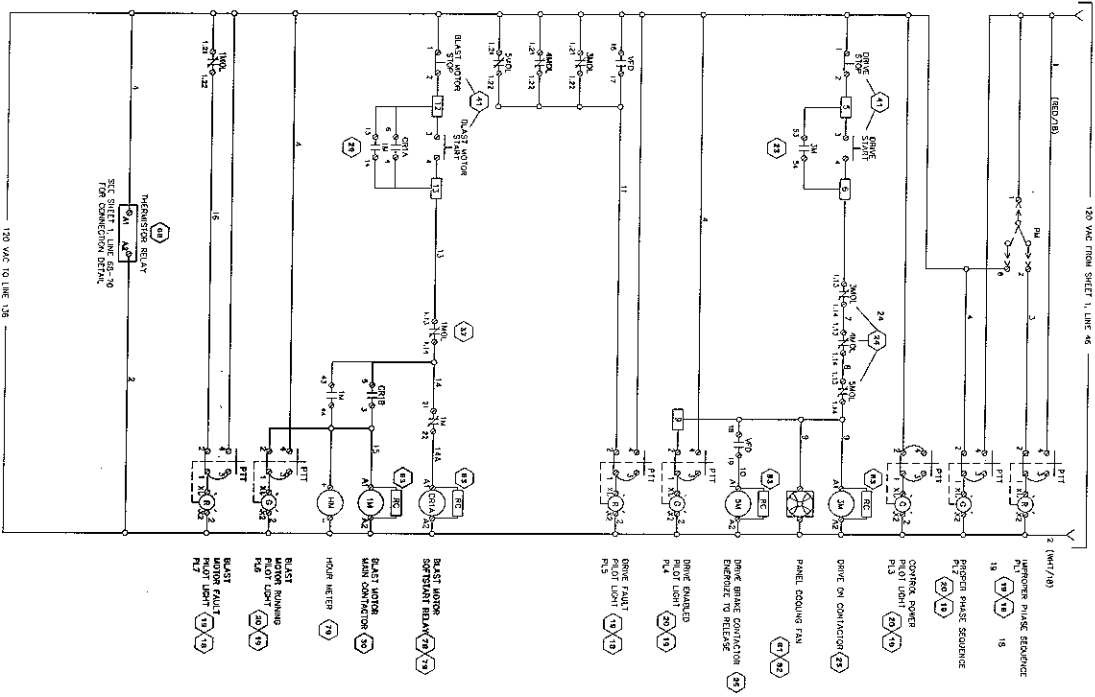


REV. 001	REV. 002	REV. 003	REV. 004	REV. 005	REV. 006	REV. 007	REV. 008	REV. 009	REV. 010
DATE	DATE	DATE	DATE	DATE	DATE	DATE	DATE	DATE	DATE

BLASTRAC 2-20D99 BLAST UNIT CONTROL PANEL FOR 460/480V - 60 HZ WITH VOLTAGE/PHASE ROTATION VERIFICATION



- SCHEMATIC SYMBOLS**
- - TERMINAL BLOCK
 - - VOLTAGE SENSITIVE SWITCH TERMINAL
 - ◇ - ELECTRICAL JUNCTION
 - ⊕ - COMPONENT TERMINAL AND NUMBER
 - ① - WIRE NUMBER
 - ② - WIRE COLOR AND AWG
 - ③ - PUSH TO TEST PILOT LIGHT
 - ④ - WIRE TERMINAL TO ENCLOSURE
- GENERAL NOTES:**
- INSTALL AND BRANCH CIRCUIT PROTECTION MUST BE PROVIDED BY INSTALLER PER NEC (430-543)
 - INSTALL ONLY COPPER FIELD CONDUCTORS RATED AT 75°C
 - THIS MACHINE MUST BE EFFECTIVELY GROUNDED FOR OPERATOR SAFETY. SEE NATIONAL ELECTRIC CODE ARTICLE 250
- NOTES:**
- IF THE POWER CABLE IS SECURED TO THE CABLE ON THE LEFT SIDE OF THE UNIT, THE W/HARDWARE PROVIDED
 - DO NOT CONNECT/DISCONNECT POWER CABLE WHEN POWER IS ON. DISCONNECT ALL CABLE WIRING DEVICES

REV.	DATE	DESCRIPTION
1	06-15-00	SCHEMATIC (2 of 2)
2	06-15-00	SCHEMATIC (2 of 2)
3	06-15-00	SCHEMATIC (2 of 2)
4	06-15-00	SCHEMATIC (2 of 2)
5	06-15-00	SCHEMATIC (2 of 2)
6	06-15-00	SCHEMATIC (2 of 2)
7	06-15-00	SCHEMATIC (2 of 2)
8	06-15-00	SCHEMATIC (2 of 2)

REVISION DATE: 06-15-00 BY: 411-0003 CHECKED: 411-0003 APPROVED: 411-0003 TITLE: SCHEMATIC (2 of 2)		411-0003
411-0003		

BLASTRAC 2-20D99 BLAST UNIT CONTROL PANEL FOR 460/480V - 60 HZ WITH VOLTAGE/PHASE ROTATION VERIFICATION

